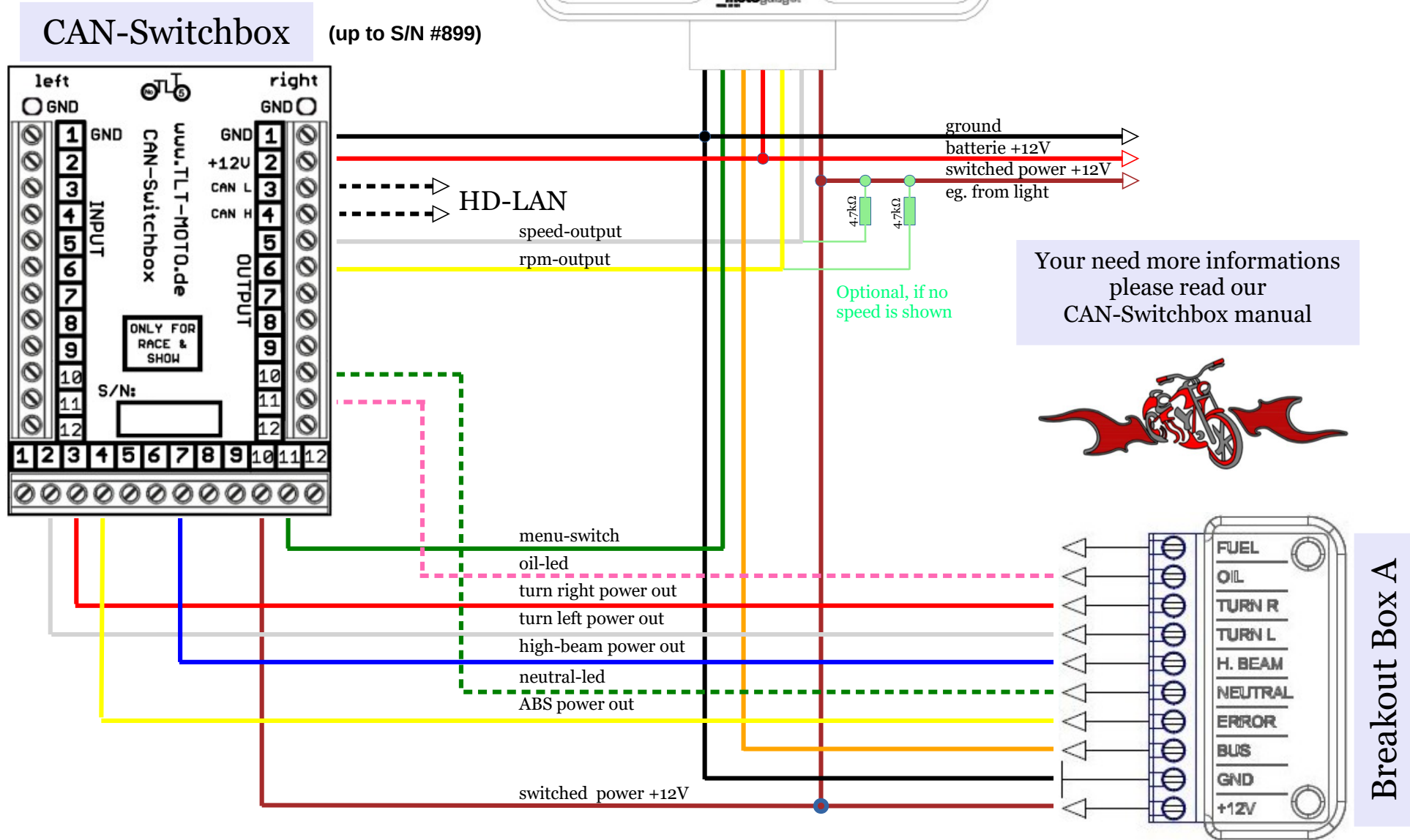
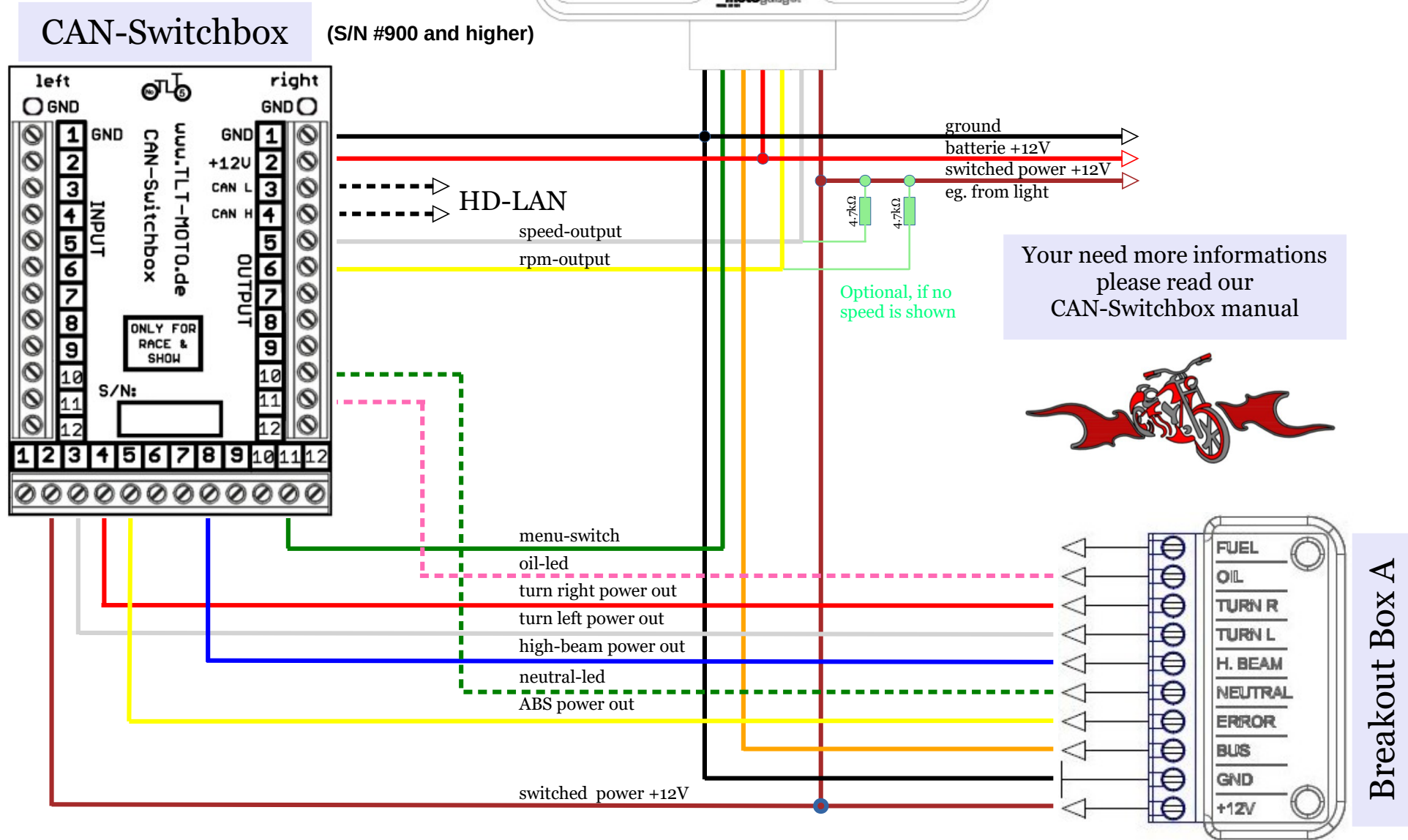


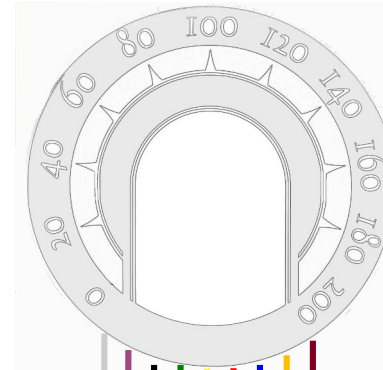
Use the TLT-Moto CAN-Swichbox to connect motoscope pro



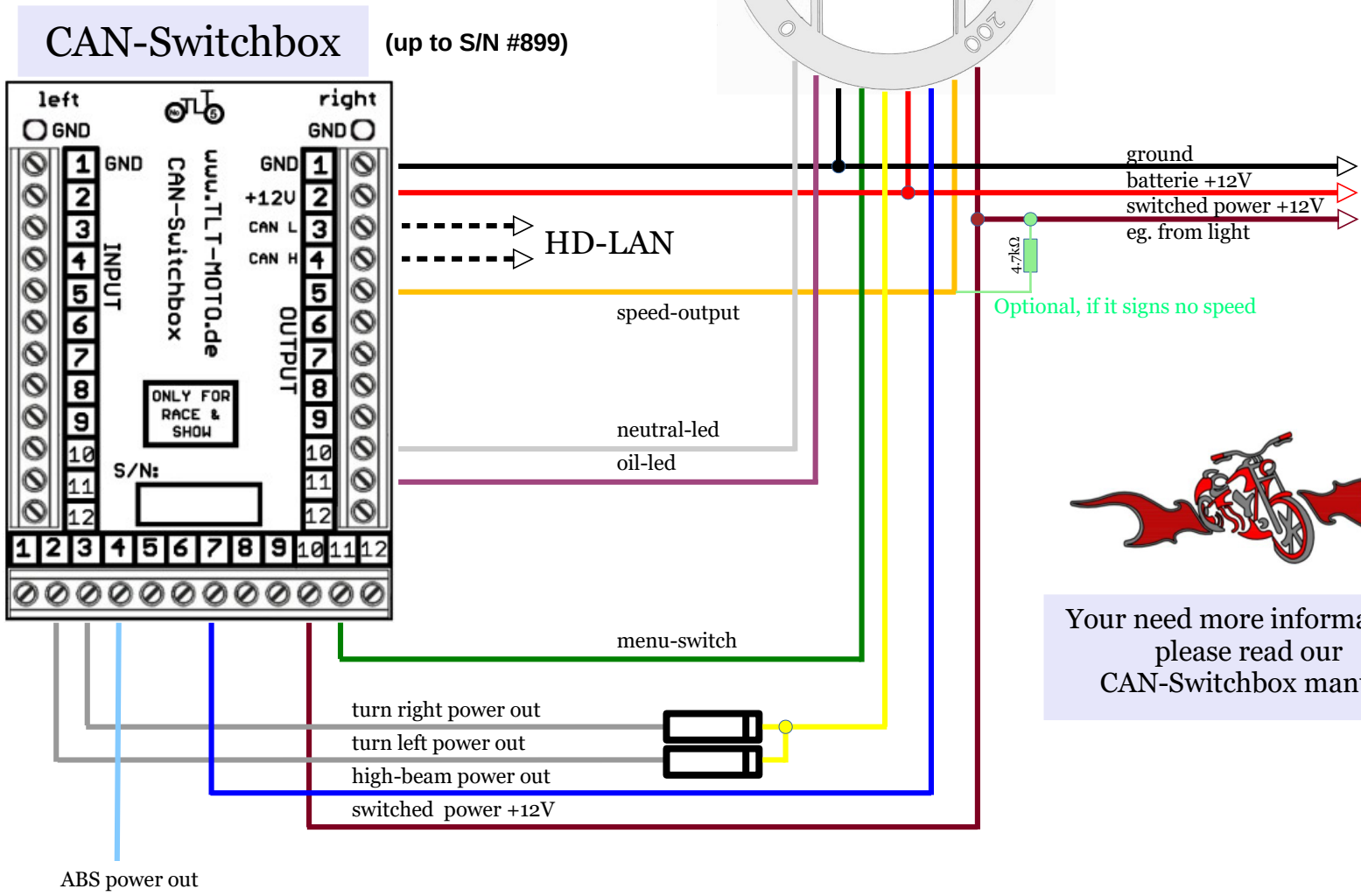
Use the TLT-Moto CAN-Swichbox to connect motoscope pro



Use the TLT-Moto CAN-Switchbox to connect motoscope tiny

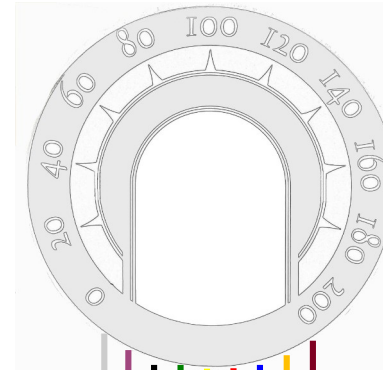


Motoscope Tiny

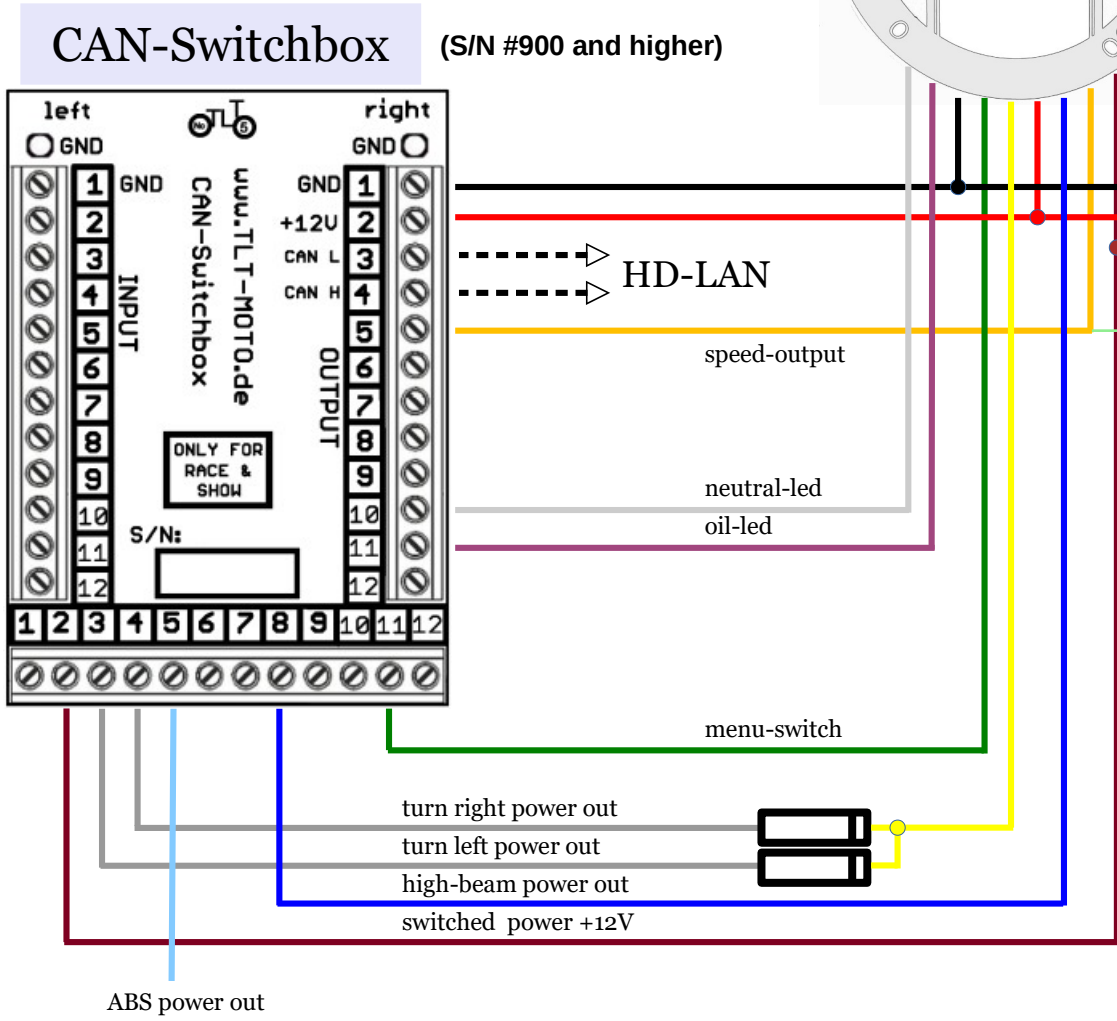


Your need more informations
please read our
CAN-Switchbox manual

Use the TLT-Moto CAN-Switchbox to connect motoscope tiny



Motoscope Tiny



Your need more informations please read our CAN-Switchbox manual

Use the TLT-Moto CAN-Swichbox to connect motoscope mini + motosign

